

PARTS CATALOGUE FOR COMPUTERIZED SEWING MACHINE

CS4000

BC2100

BC2300

RS240

CS6000

CS6000t

BC2500

RS260

ES2000

ES2200

ES2010

ES2210

ES2020

ES2220

comfort 40E

ES2400

ES2410

ES2420

comfort 60E

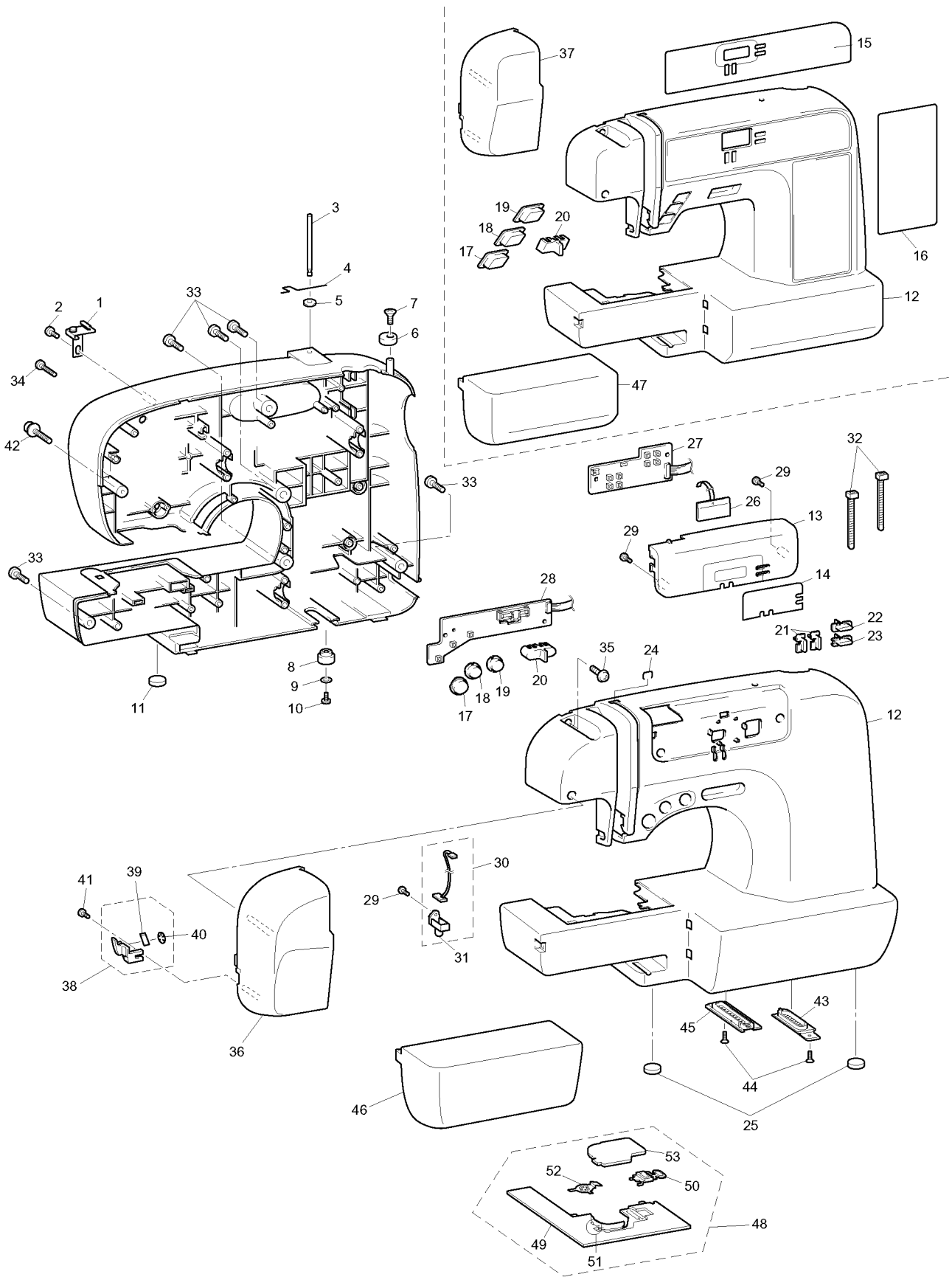
CS100t

CONTENTS

(1) PRINCIPAL PARTS.....	2
(2) UPPER SHAFT / NEEDLE BAR, PRESSER / ZIGZAG MECHANISM.....	6
(3) FEED / FEED ADJUSTMENT MECHANISM	8
(4) BOBBIN WINDER / THREAD GUIDE MECHANISM	10
(5) ELECTRONIC PARTS / MOTOR UNIT.....	12
(6) ATTACHMENTS / PRINTED MATTER / PACKING MATERIALS	14

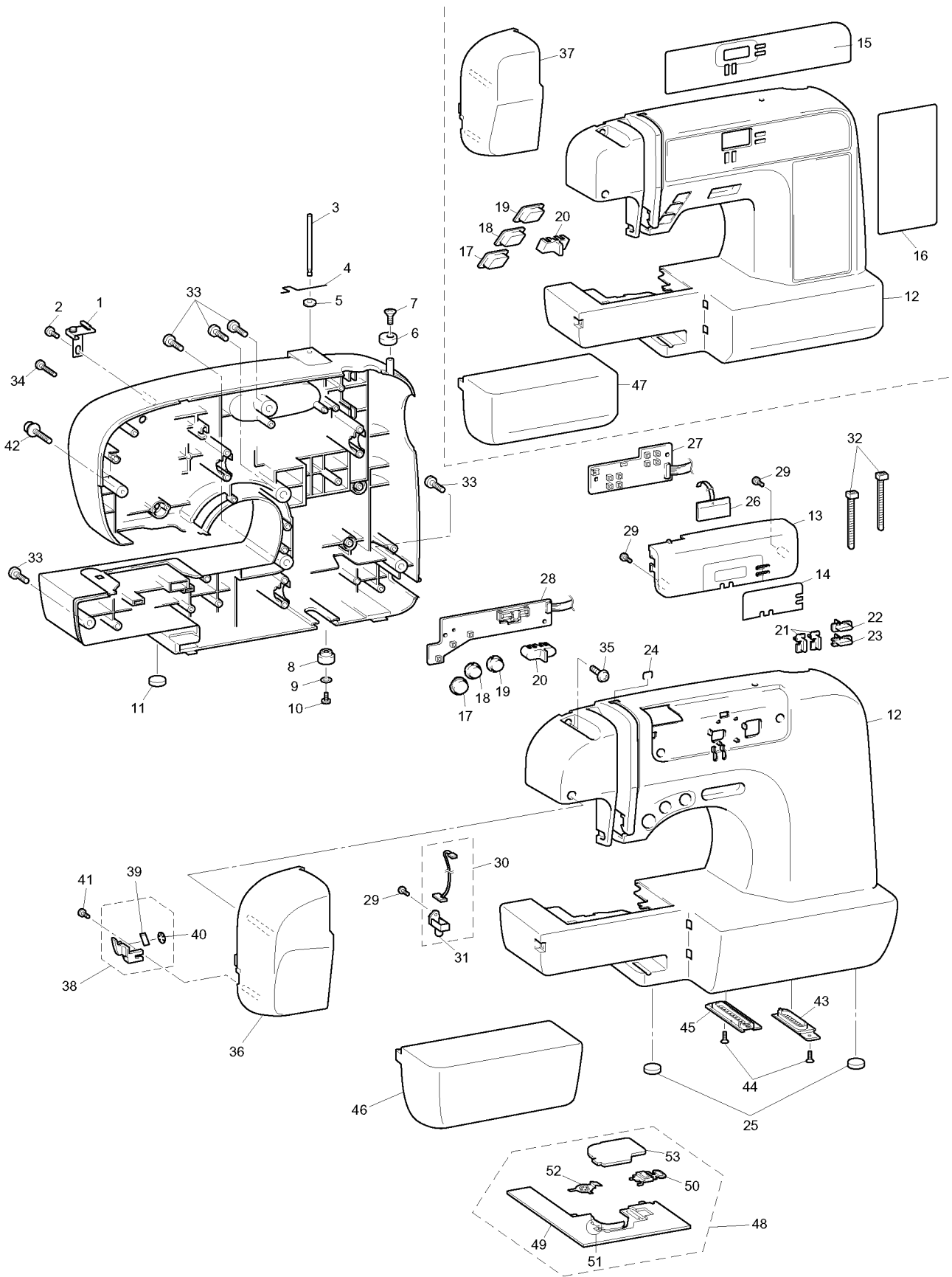
(1) PRINCIPAL PARTS

No.	CODE	NAME	REMARKS	No.	CODE	NAME	REMARKS
1	XC4846021	THREAD GUIDE ASSY		15	XC8907039	DECORATION PLATE A (comfort 40E)	
2	XC3588021	GIZA TITE 4X12			XC8907040	DECORATION PLATE A (comfort 60E)	
3	XC8701021	SPOOL PIN			XC8907041	DECORATION PLATE A (CS100t)	
4	XA0628021	SPOOL PIN SPRING		16	XC8909021	DECORATION PLATE B (ES2000:U.S.A.)	
5	XA8851021	SPOOL PIN STAND			XC8909022	DECORATION PLATE B (ES2000:OTHER)	
6	XC4481121	BOBBIN PRESSER			XC8909036	DECORATION PLATE B (ES2200)	
7	XC6305021	TAPTITE PAN B (S/P W) 3X12			XC8909037	DECORATION PLATE B (ES2010)	
8	138337021	RUBBER CUSHION A			XC8909038	DECORATION PLATE B (ES2210)	
9	026350235	WASHER PLAIN M 3.5			XC8909039	DECORATION PLATE B (ES2020)	
10	083361216	TAPTITE PAN B M3.5X12			XC8909040	DECORATION PLATE B (ES2220)	
11	XC4077021	BASE PLATE RUBBER			XC8909023	DECORATION PLATE B (ES2400:U.S.A.)	
12	XC8703021	FRONT COVER (CS4000, BC2100, RS240)			XC8909024	DECORATION PLATE B (ES2400:OTHER)	
	XC8703022	FRONT COVER (BC2300)			XC8909034	DECORATION PLATE B (ES2410)	
	XC8906021	FRONT COVER (ES2000, ES2200, ES2010, ES2210, ES2020, ES2220, comfort 40E)			XC8909035	DECORATION PLATE B (ES2420,CS100t)	
	XC8920021	FRONT COVER (CS6000, CS6000t, BC2500, RS260)			XC8909041	DECORATION PLATE B (comfort 40E)	
	XC8926021	FRONT COVER (ES2400, ES2410, ES2420, comfort 60E, CS100t)		17	XC8922021	SS BUTTON (CS6000, CS6000t, BC2500, RS260)	
13	XC8705025	FRONT PANEL (CS4000)			XC8928021	SS BUTTON (ES2400, ES2410, ES2420, comfort 60E, CS100t)	
	XC8705021	FRONT PANEL (BC2100)		18	XC8709021	BACKSTITCHING BUTTON (CS4000, BC2100, BC2300, RS240, CS6000, CS6000t, BC2500, RS260)	
	XC8705027	FRONT PANEL (BC2300)			XC8911021	BACKSTITCHING BUTTON (ES2000, ES2200, ES2010, ES2210, ES2020, ES2220, ES2400, comfort 40E, comfort 60E, CS100t)	
	XC8705028	FRONT PANEL (RS240)		19	XC8923021	NP BUTTON (CS6000, CS6000t, BC2500, RS260)	
	XC8705026	FRONT PANEL (CS6000, CS6000t)			XC8929021	NP BUTTON (ES2400, ES2410, ES2420, comfort 60E, CS100t)	
	XC8705022	FRONT PANEL (BC2500:OTHER)		20	XC8924021	SV KEYTOP (CS6000, CS6000t, BC2500, RS260)	
	XC8705029	FRONT PANEL (RS260)			XC8930021	SV KEYTOP (ES2400, ES2410, ES2420, comfort 60E, CS100t)	
	XC8705030	FRONT PANEL (BC2500:AUSTRALIA)		21	XC8710021	SELECTING BUTTON (CS4000, BC2100, BC2300, RS240, CS6000, CS6000t, BC2500, RS260)	
14	XC8707021	DECORATION PLATE (CS4000, BC2100, RS240, BC2500:AUS)			XC8912021	SELECTING BUTTON (ES2000, ES2200, ES2010, ES2210, ES2020, ES2220, ES2400, ES2410, ES2420, comfort 40E, comfort 60E, CS100t)	
	XC8707022	DECORATION PLATE (BC2300, CS6000, CS6000t, RS260, BC2500:OTHER)					
15	XC8907021	DECORATION PLATE A (ES2000:U.S.A.)					
	XC8907022	DECORATION PLATE A (ES2000:OTHER)					
	XC8907028	DECORATION PLATE A (ES2200)					
	XC8907029	DECORATION PLATE A (ES2010)					
	XC8907030	DECORATION PLATE A (ES2210)					
	XC8907031	DECORATION PLATE A (ES2020)					
	XC8907032	DECORATION PLATE A (ES2220)					
	XC8907023	DECORATION PLATE A (ES2400:U.S.A.)					
	XC8907024	DECORATION PLATE A (ES2400:OTHER)					
	XC8907026	DECORATION PLATE A (ES2410)					
XC8907027	DECORATION PLATE A (ES2420)						



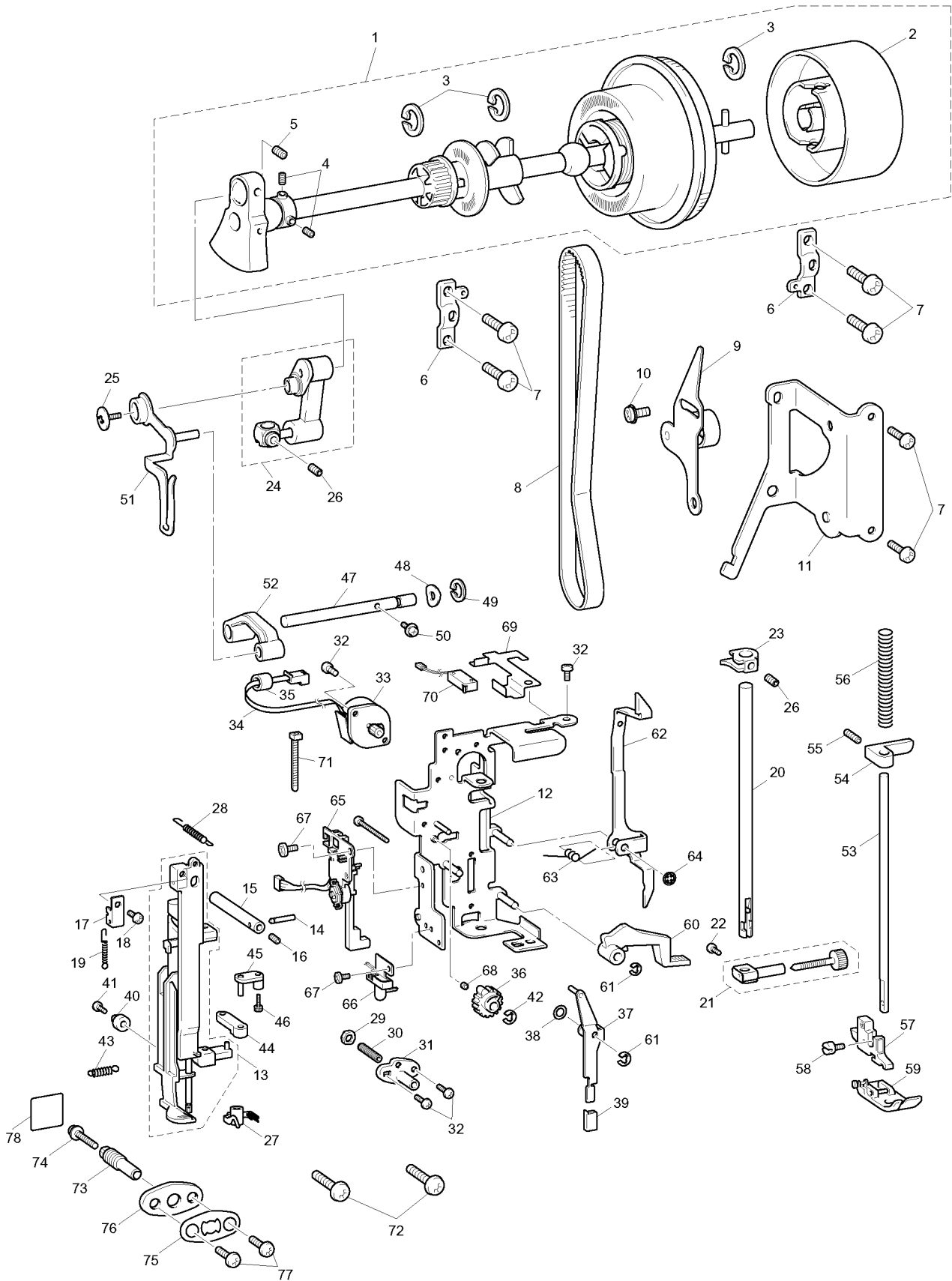
(1) PRINCIPAL PARTS

No.	CODE	NAME	REMARKS	No.	CODE	NAME	REMARKS
22	XC8711021	MANUAL BUTTON A (CS4000, BC2100, BC2300, RS240, CS6000, CS6000t, BC2500, RS260)		39	X80321021	NT LOWER THREAD CUTTER	
	XC8913021	MANUAL BUTTON A (ES2000, ES2200, ES2010, ES2210, ES2020, ES2220, ES2400, ES2410, ES2420, comfort 40E, comfort 60E, CS100t)		40	138384021	RETAINING RING,CS5	
23	XC8712021	MANUAL BUTTON B (CS4000, BC2100, BC2300, RS240, CS6000, CS6000t, BC2500, RS260)		41	085311215	TAPTITE BIND B M3X12	
	XC8914021	MANUAL BUTTON B (ES2000, ES2200, ES2010, ES2210, ES2020, ES2220, ES2400, ES2410, ES2420, comfort 40E, comfort 60E, CS100t)		42	XA3337022	TAPTITE,CUP P M4X20	
24	X53625121	UPPER COVER THREAD GUIDE		43	XC4857021	BASE COVER	
25	XC4077021	BASE PLATE RUBBER		44	084310815	TAPTITE FLAT B M3X8	
26	XC9822021	LCD SUPPLY ASSY		45	XC8729021	BASE COVER A	
27	XC9823021	OPERATION PCB SUPPLY ASSY (CS4000, BC2100, BC2300, RS240)		46	XC8730021	ACCESSORY TABLE A (CS4000, BC2100, BC2300, RS240, CS6000, CS6000t, BC2500, RS260)	
	XC9826021	OPERATION PCB SUPPLY ASSY (ES2000, ES2200, ES2010, ES2210, ES2020, ES2220, comfort 40E)		47	XC8918021	ACCESSORY TABLE B (ES2000, ES2200, ES2010, ES2210, ES2020, ES2220, ES2400, ES2410, ES2420, comfort 40E, comfort 60E, CS100t)	
	XC9824021	OPERATION PCB SUPPLY ASSY (CS6000, CS6000t, BC2500, RS260, ES2400 ES2410, ES2420, comfort 60E, CS100t)		48	XC3520021	NEEDLE PLATE B ASSY (CS4000, BC2100, BC2300, RS240, CS6000, CS6000t, BC2500, RS260, ES2000:U.S.A, ES2400:U.S.A., comfort 40E, comfort 60E, CS100t)	
28	XC9834021	SSVR PCB SUPPLY ASSY (CS6000, CS6000t, BC2500, RS260)			XC4859021	NEEDLE PLATE B ASSY (ES2000:OTHER, ES2200, ES2010, ES2210, ES2020, ES2220, ES2400:OTHER, ES2410, ES2420)	
	XC9836021	SSVR PCB SUPPLY ASSY (ES2400, ES2410, ES2420, comfort 60E, CS100t)		49	XC3521021	NEEDLE PLATE B (CS4000, BC2100, BC2300, RS240, CS6000, CS6000t, BC2500, RS260, ES2000:U.S.A, ES2400:U.S.A., comfort 40E, comfort 60E, CS100t)	
29	085311015	TAPTITE BIND B M3X10			XC4860021	NEEDLE PLATE B (ES2000:OTHER, ES2200, ES2010, ES2210, ES2020, ES2220, ES2400:OTHER, ES2410, ES2420)	
30	XC9825021	LED LAMP RIGHT SUPPLY ASSY		50	XC7371021	SLIDE BUTTON	
31	XC3506021	LED LAMP HOLDER R		51	XC2367021	CUTTER COVER (CS4000, BC2100, BC2300, RS240, CS6000, CS6000t, BC2500, RS260, ES2000:U.S.A, ES2400:U.S.A., comfort 40E, comfort 60E, CS100t)	
32	X53169050	BAND		52	XC2368021	SPRING PLATE	
33	XC3496021	GIZA TITE 5X16		53	XC2369021	NEEDLE PLATE COVER	
34	XC8726021	GIZA TITE 4X25		54	XD0269021	HARD CASE ASSY (CS100t)	
35	XC3588021	GIZA TITE 4X12		55	125440020	CASE FELT (CS100t)	
36	XC8728021	FACE PLATE A (CS4000, BC2100, BC2300, RS240, CS6000, CS6000t, BC2500, RS260)		56	XD0271021	MODEL MARK (CS100t)	
	XC8917021	FACE PLATE B (ES2000, ES2200, ES2010, ES2210, ES2020, ES2220, ES2400, ES2410, ES2420, comfort 40E, comfort 60E, CS100t)		57	XD0281020	UNDER CASE POLYSTYRENE (CS100t)	
38	XC4855021	CUTTER COVER ASSY					



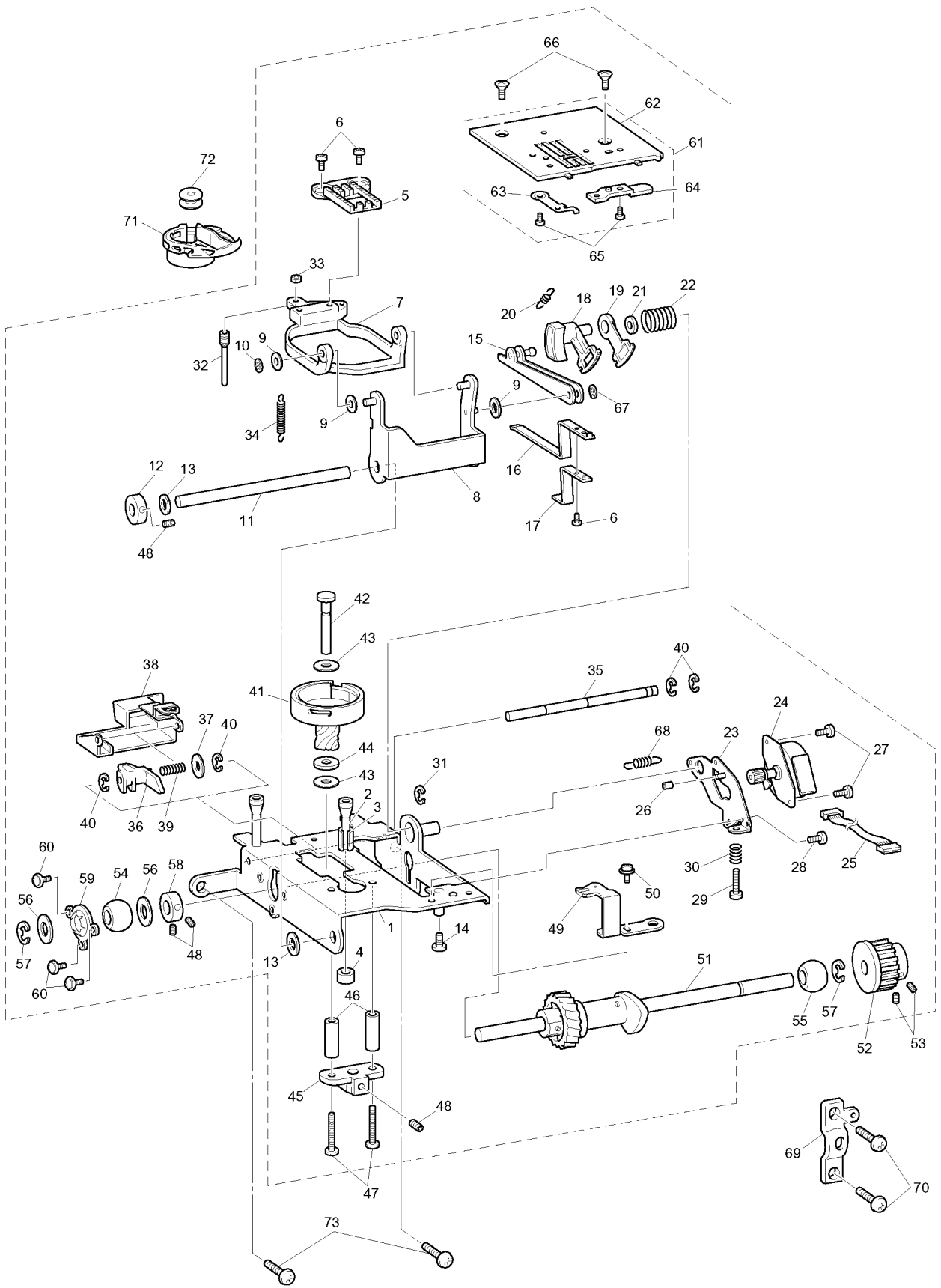
(2) UPPER SHAFT / NEEDLE BAR, PRESSER / ZIGZAG MECHANISM

No.	CODE	NAME	REMARKS	No.	CODE	NAME	REMARKS
UPPER SHAFT MECHANISM				40	XC2435020	ZIGZAG ADJUSTING NUT	
1	XC8736021	UPPER SHAFT ASSY		41	018301032	BOLT SOCKET M3X10	
2	XC3529021	PULLEY		42	048030346	RETAINING RING E3	
3	048060346	RETAINING RING E6		43	XC2748021	SPRING-Z	
4	014400432	SET SCREW SOCKET (CP) M4X4		44	XC2436021	NEEDLE HOLDER BLOCK	
5	012500532	SET SCREW SOCKET (FT) M5X5		45	XC2437021	SHAFT ASSY	
6	XC3534121	UPPER SHAFT BEARING PRESSER		46	XC3037021	SCREW3X10	
7	XC3496021	GIZA TITE 5X16		47	XC8765021	SHAFT	
8	XC4869021	T BELT 420-5GT-6		48	XA1866051	WASHER,SPRING	
9	XC4870021	TENSION PULLEY ASSY		49	048050346	RETAINING RING E5	
10	0A4400806	SCREW PAN (S/P WASHER) M4X8		50	0A5300806	SCREW PAN (S/P WASHER) M3X8	
11	XC8739020	TENSION PULLEY HOLDER		51	XC8564031	THREAD TAKE-UP LEVER	
NEEDLE BAR, PRESSER MECHANISM				52	XC4897020	THREAD TAKE-UP LEVER LINK	
12	XC8741021	BASE HOLDER ASSY		53	XC4898021	PRESSER BAR	
13	XC8748021	NEEDLE BAR SUPPORTER ASSY (CS4000, BC2100, BC2300, RS240, CS6000, CS6000t, BC2500, RS260, ES2000:U.S.A, ES2400:U.S.A.)		54	XC4899021	PRESSER BAR CLAMP	
14	XC2420020	SHAFT		55	XC7207021	SCREW STUD M5	050037
15	XC8754021	NEEDLE HOLDER SHAFT A		56	XC4900021	SPRING	
16	014300532	SET SCREW SOCKET (CP) M3X5		57	XC3015031	PRESSER FEED HOLDER ASSY	
17	XC8755020	PLATE		58	132730122	TIGHTENING SCREW 3.57	
18	060300516	SCREW BIND M3X5		59	XC3021031	Z FOOT	
19	X50476021	SPRING		60	XC4902021	PRESSER FOOT LIFTER	
20	XC8557031	NEEDLE BAR ASSY		61	048040346	RETAINING RING E4	
21	XC8560031	NEEDLE BLOCK ASSY		62	XC8766020	THREAD RELEASE LEVER	
22	X58913021	BIND 2X3		63	XC4904121	SPRING	
23	XC2434021	NEEDLE THREAD BLOCK		64	146200021	RETAINING RING, CS4	
24	XC4886031	NEEDLE BAR CRANK ROD ASSY		65	XC8767021	BH SWITCH ASSY	
25	132051052	SCREW, FLAT SM3.57-40X7 L		66	XC9827021	LED LAMP LEFT SUPPLY ASSY	
26	012400432	SET SCREW SOCKET (FT) M4X4		67	0A4400806	SCREW PAN (S/P WASHER) M4X8	
27	XA1854051	THREADER HOOK ASSEMBLY		68	XC8773020	RUBBER	
28	XC2429021	SPRING		69	XC8774021	PRESSER SWITCH HOLDER	
29	X56851021	LOCK NUT		70	XC8775021	PF SWITCH ASSY,LE	
30	014401232	SET SCREW SOCKET (CP) M4X12		71	X53169050	BAND	
31	XC8756021	SHAFT BUSHING		72	XC4961021	GIZA TITE 5X20	
32	060300616	SCREW BIND M3X6		73	XC4905021	ADJUSTING SCREW	
33	XC8757021	Z PULSE MOTOR:M35SP-9N		74	060302516	SCREW PAN M3X25	
34	XC8759021	LEAD WIRE ASSY,ZPM-LE		75	XC6056020	PLATE SPRING	
35	XC5409021	FERRITE CORE:F5RB140140RNB00T		76	XC4906020	ADJUSTING PLATE	
36	XC8760020	Z ZIGZAG CAM		77	085411015	TAPTITE BIND B M4X10	
37	XC8761021	Z ZIGZAG LEVER ASSY		78	XC4907021	LABEL	
38	XC8764020	Z LEVER CAP					
39	137713020	POLYESTER SLIDER					



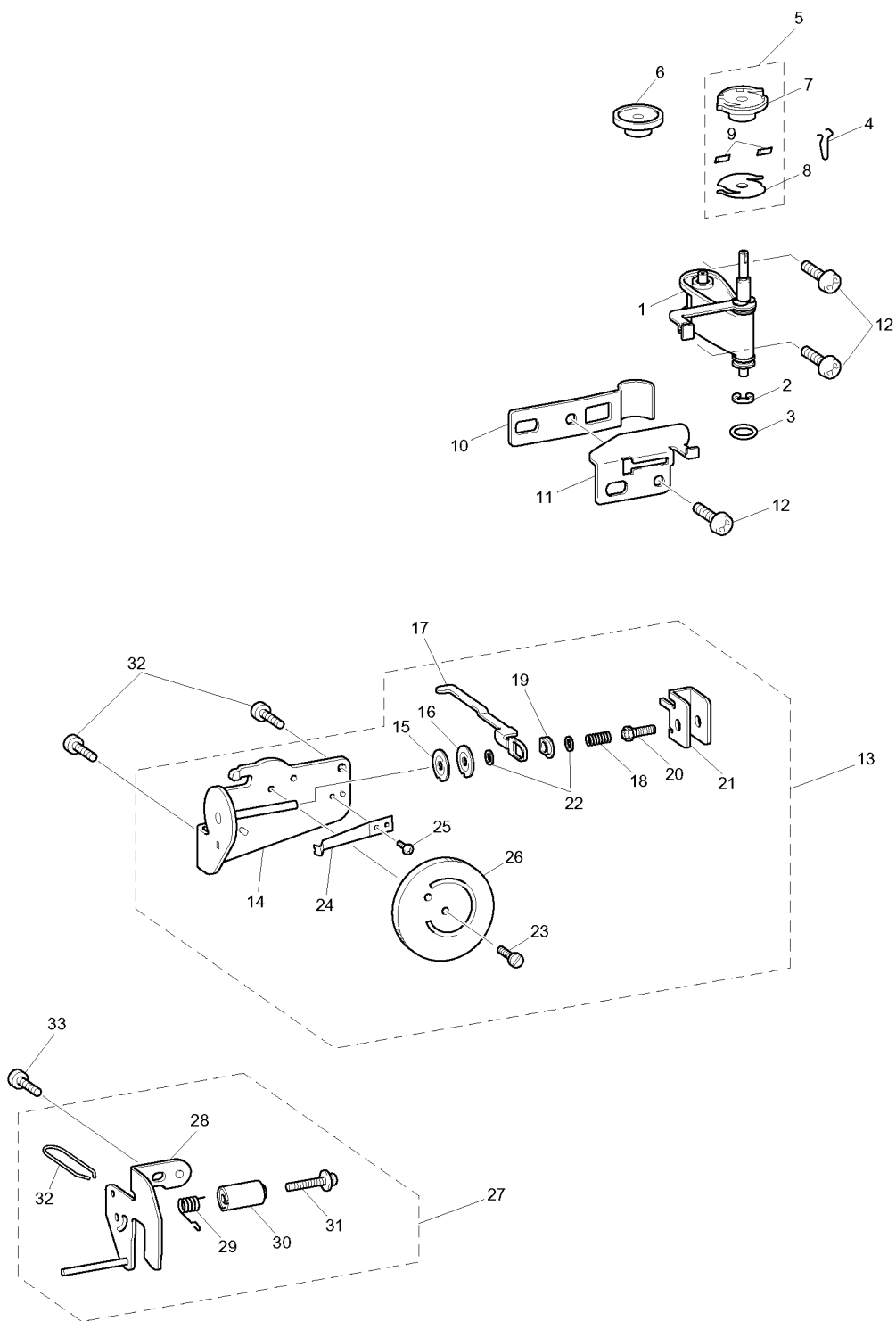
(3) FEED / FEED ADJUSTMENT MECHANISM

No.	CODE	NAME	REMARKS	No.	CODE	NAME	REMARKS
FEED MECHANISM				44	137976021	WASHER 6	
1	XC8778021	BASE PLATE ASSY		45	XC4937020	SHAFT SUPPORTER	
2	XC8782021	NEEDLE PLATE SUPPORTER SHAFT B		46	XC4938020	COLLAR	
3	XC8783020	FEED ARM SUPPORTER		47	XC6551021	SCREW,PAN (S/P WASHER) M4X22	
4	021300106	NUT 1 M3		48	014400432	SET SCREW SOCKET (CP) M4X4	
5	XC5467031	FEED DOG		49	XC4939021	INNER ROTARY HOOK BRACKET ASSY	
6	060300616	SCREW BIND M3X6		50	052300606	SCREW, PAN (S/P WASHER) M3X6	
7	XC8785021	FEED BAR		51	XC8796021	LOWER SHAFT ASSY	
8	XC8786021	FEED ARM A ASSY		52	XC4943021	TIMING PULLEY D	
9	137999020	POLYESTER SLIDER		53	014500532	SET SCREW SOCKET (CP) M5X5	
10	146200021	RETAINING RING, CS4		54	X52664020	LOWER SHAFT BUSHING	
11	XC8789021	HORIZONTAL FEED SHAFT		55	XC3792020	UPPER SHAFT BUSHING	
12	130676121	SET SCREW COLLAR		56	X51383020	WASHER,THRUST	
13	X50546020	WASHER,THRUST		57	048060346	RETAINING RING E6	
14	060301216	SCREW BIND M3X12		58	XC8798021	SET COLLAR	
15	XC4924021	FEED ARM ASSY		59	XC4944021	BUSHING PRESSER B	
16	XC4927021	FEED SUPPORTING PLATE		60	085310615	TAPTITE BIND B M3X6	
17	XC4928020	FEED SUPPORTING PLATE B		61	XC8565031	NEEDLE PLATE A ASSY	
18	XC2527021	FEED ADJUSTER		62	XC8566031	NEEDLE PLATE A	
19	XC2529020	F GEAR		63	XC2570031	STOPPER PLATE	
20	XC2530021	SPRING		64	XC2571031	F GEAR STOPPER PLATE	
21	137713020	POLYESTER SLIDER		65	060260316	SCREW BIND M2.6X3	
22	XC2531021	SPRING		66	X50487051	SCREW M4	
23	XC8791021	FPM HOLDER SUB ASSY		67	X56655021	RETAINING RING: CSTW-3.5	
24	XC8757021	Z PULSE MOTOR:M35SP-9N		68	XC6364021	SPRING	
25	XC8793021	LEAD WIRE ASSY,FPM-LE		69	XC3534121	UPPER SHAFT BEARING PRESSER	
26	XC8773020	RUBBER		70	XC3496021	GIZA TITE 5X16	
27	060300416	SCREW BIND M3X4		71	XC3152121	INNER ROTARY HOOK ASSY	050024
28	XC3338021	SCREW3X8		72	X52800120	BOBBIN	
29	018402532	BOLT SOCKET M4X25		73	XC3805021	GIZA TITE 5X16	
30	XC2537021	SPRING					
31	XC9924021	RETAINING RING 10					
32	XC3941021	VERTICAL ADJUSTER SCREW ASSY					
33	XC2546021	M5 NUT					
34	XC4935021	SPRING					
35	XC8794021	VERTICAL FEED SHAFT					
36	XC2551020	VERTICAL LEVER					
37	025040332	WASHER PLAIN L 4					
38	XC8795021	DROP KNOB					
39	XC2550021	SPRING					
40	048030346	RETAINING RING E3					
41	XC4141121	OUTER ROTARY HOOK ASSY					
42	XC2230021	OUTER ROTARY HOOK SHAFT					
43	137805052	SPACER					



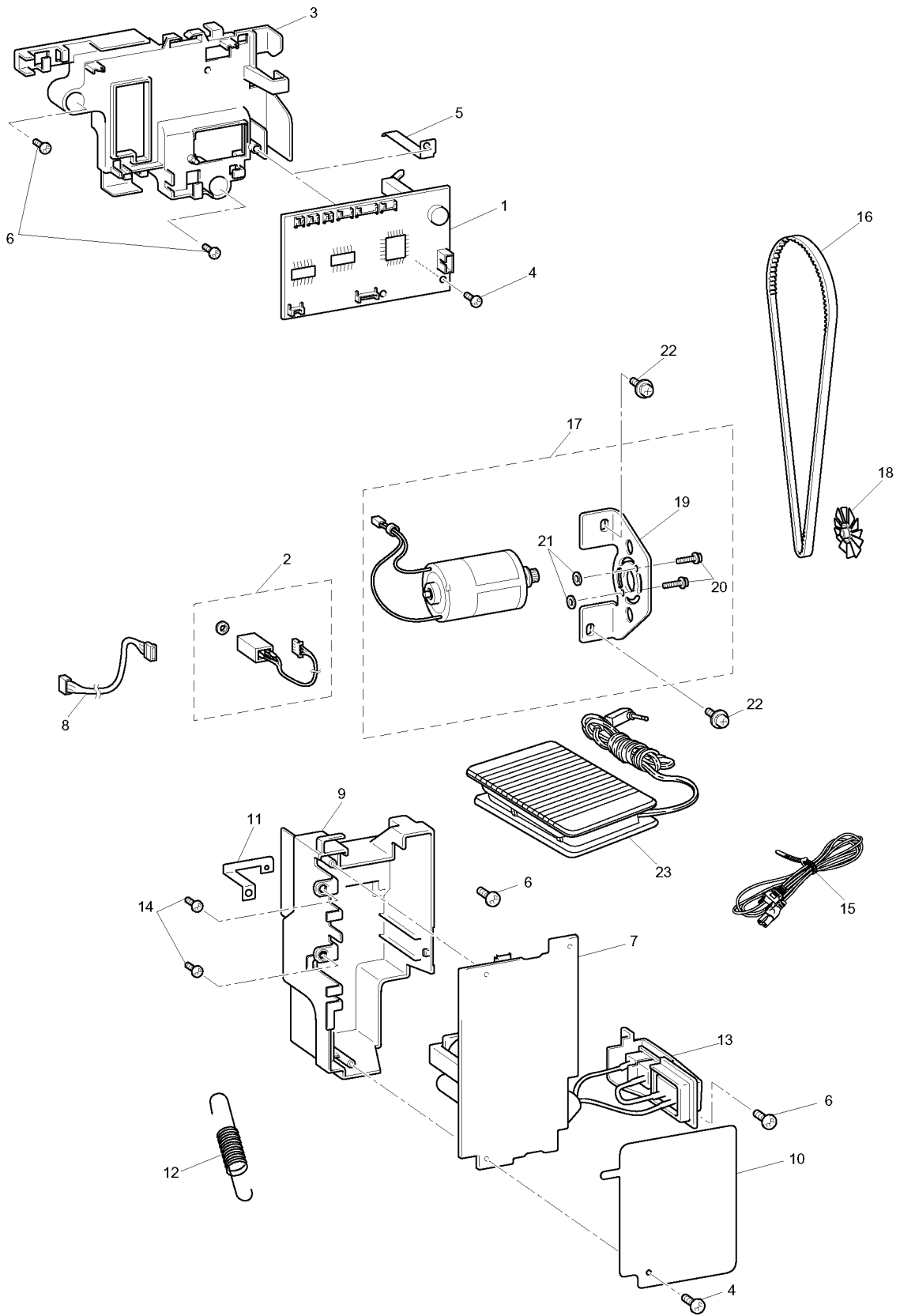
(4) BOBBIN WINDER / THREAD GUIDE MECHANISM

No.	CODE	NAME	REMARKS	No.	CODE	NAME	REMARKS
BOBBIN WINDER MECHANISM				THREAD GUIDE MECHANISM			
1	XC8799021	BOBBIN WINDER ASSY		13	XC8884021	THREAD GUIDE ASSY A	
2	048050346	RETAINING RING E5		14	XC5048021	THREAD TENSION HOLDER ASSY	
3	XC4076020	RUBBER RING		15	XA0083051	TENSION DISC A	
4	XC4063021	BOBBIN WINDER SHAFT SPRING		16	XA0084051	TENSION DISC B	
5	XC9116021	BOBBIN BASE ASSY (CS6000, CS6000t, BC2500, RS260, ES2400:U.S.A.)		17	XC8828020	THREAD RELEASE PLATE	
6	XC8803021	BOBBIN BASE (CS4000, BC2100, BC2300, RS240, ES2000, ES2200, ES2010, ES2210, ES2020, ES2220, ES2400:OTHER, ES2410, ES2420)		18	X55842021	SPRING	
7	XC4078121	BOBBIN BASE (CS6000, CS6000t, BC2500, RS260, ES2400:U.S.A.)		19	137881021	TENSION DISC WASHER	
8	XA5877021	BOBBIN THREAD CUTTER HOLDER (CS6000, CS6000t, BC2500, RS260, ES2400:U.S.A.)		20	XC5053021	THREAD TENSION ADJUSTING SCREW	
9	X80321021	NT LOWER THREAD CUTTER (CS6000, CS6000t, BC2500, RS260, ES2400:U.S.A.)		21	XC5054021	THREAD TENSION PLATE	
10	XC8804020	BOBBIN WINDER SPRING		22	XD0573021	WASHER	050053
11	XC8805021	BOBBIN WINDER SHAFT STOPPER		23	XC9234021	TENSION DIAL SHAFT	
12	XC3496021	GIZA TITE 5X16		24	X56839021	NOTCHED SPRING	
				25	062300416	SCREW, PAN M3X4	
				26	XC5055021	THREAD TENSION DIAL	
				27	XC5057021	THREAD GUIDE ASSY B	
				28	XC5060021	THREAD TAKE-UP HOLDER B	
				29	XC6957021	THREAD TAKE UP SPRING	
				30	XC2648021	THREAD CATCHING SPRING CASE	
				31	0A4301806	SCREW, PAN (S/P WASHE) M3X18	
				32	XC5059020	THREAD GUIDE WIRE	
				33	085411416	TAPTITE, BIND B M4X14	



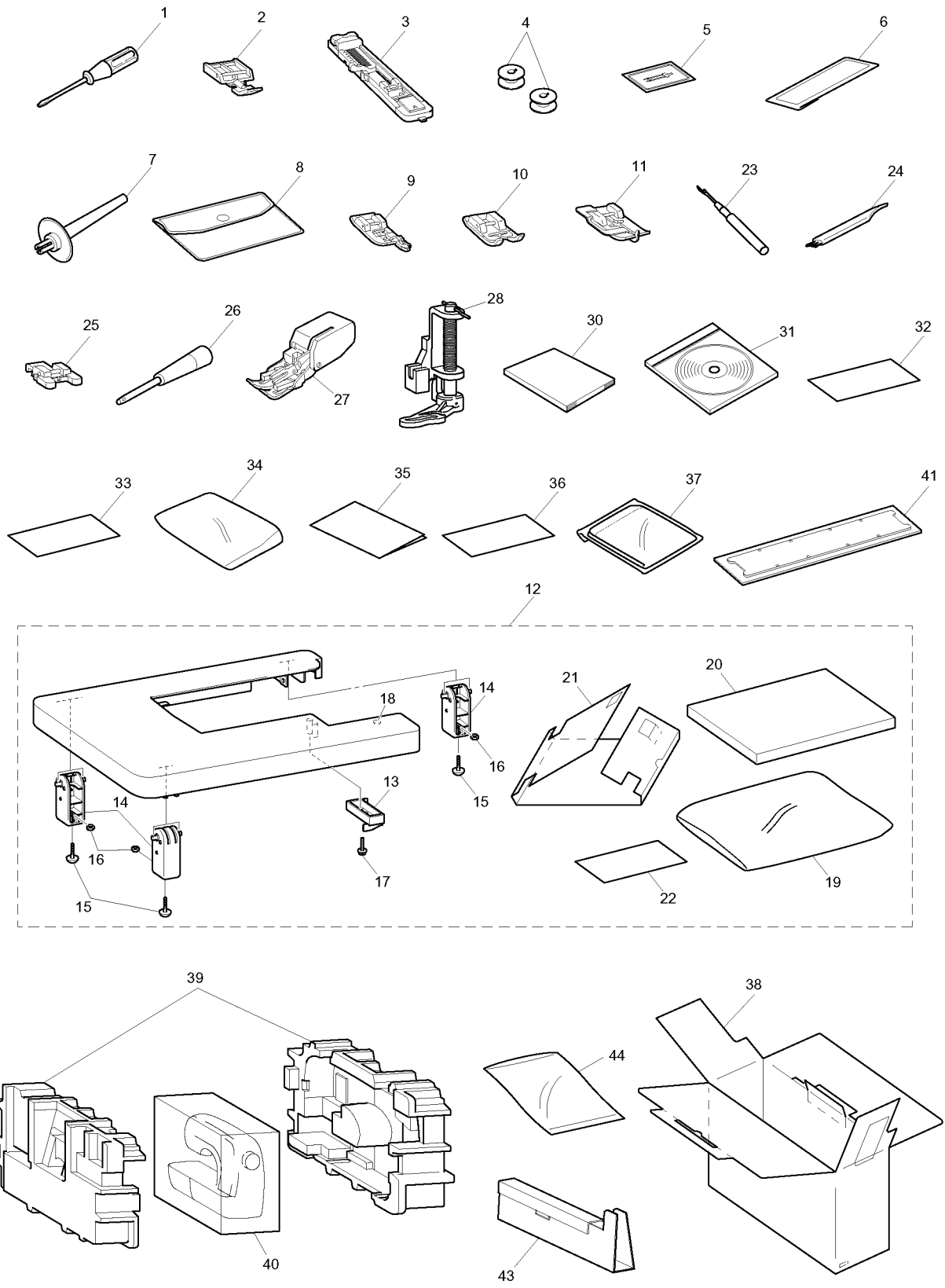
(5) ELECTRONIC PARTS / MOTOR UNIT

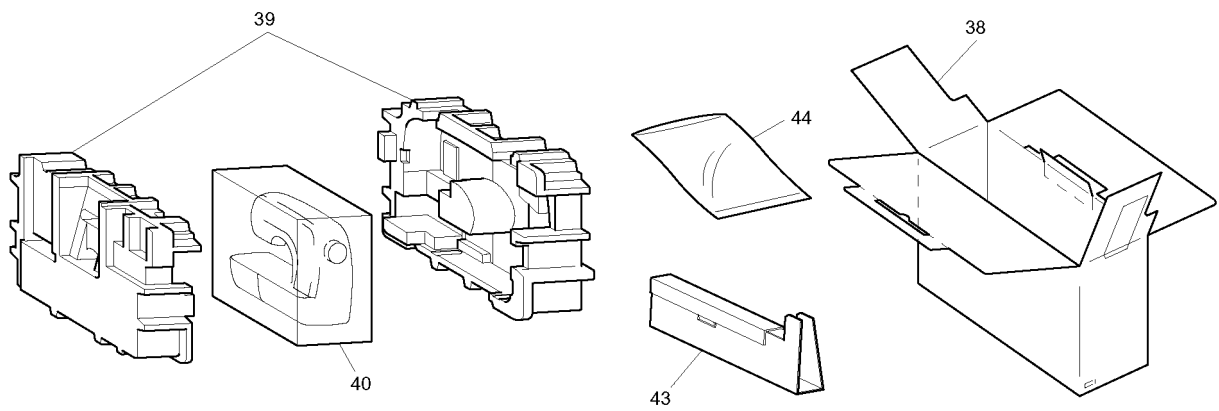
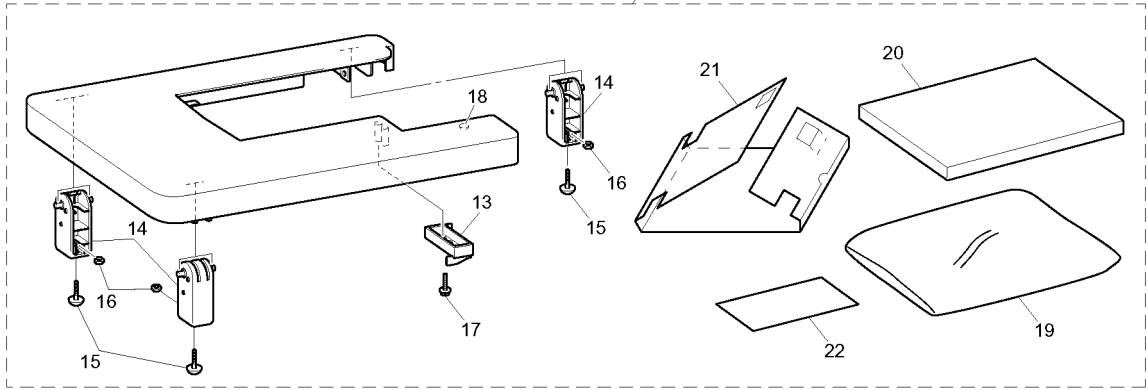
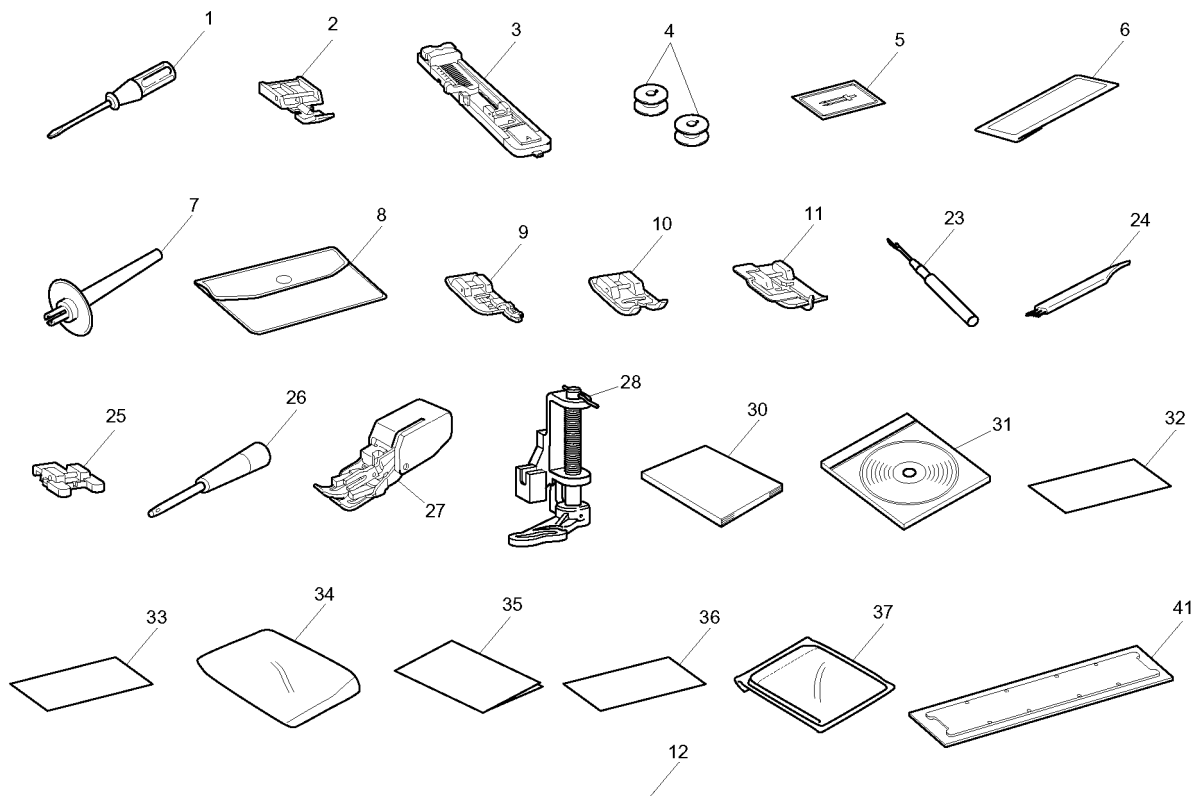
No.	CODE	NAME	REMARKS	No.	CODE	NAME	REMARKS
ELECTRONIC PARTS				MOTOR UNIT			
1	XC9828221	MAIN PCB SUPPLY ASSY - 40 (CS4000, BC2100, RS240, ES2000, ES2010, ES2020, comfort 40E)	050048	15	XA0070121	POWER SUPPLY CORD (BC2100:OTHER, BC2300:OTHER, RS240, ES2000:OTHER, ES2200:FRA, ES2020:EUR, ES2220:EUR, CS6000, CS6000t, BC2500:OTHER, RS260, ES2400:OTHER, ES2410, ES2420, comfort 40E, comfort 60E)	
	XD0007221	MAIN PCB SUPPLY ASSY - 50 (BC2300, ES2200, ES2210, ES2220)	050048	16	XC3806121	TIMING BELT 372-2GT-6	
	XC9835221	MAIN PCB SUPPLY ASSY - 60 (CS6000, CS6000t, BC2500, RS260, ES2400, ES2410, ES2420, comfort 60E, CS100t)	050048	17	XC9829022	MAIN MOTOR SUPPLY ASSY	050011
2	XC9830021	FC JACK SUPPLY ASSY - 120		18	XC3803020	MOTOR FAN	
	XC9832021	FC JACK SUPPLY ASSY - 230		19	XC8815021	MOTOR HOLDER	
3	XC8809021	SHUTTER COVER		20	0A5300806	SCREW PAN (S/P WASHER) M3X8	
4	085311015	TAPTITE BIND B M3X10		21	XC9689020	WASHER3	
5	XC8810020	MAIN PCB PLATE SPRING		22	XC3805021	GIZA TITE 5X16	
6	087411416	TAPTITE CUP B M4X14		23	XC8816021	FOOT CONTROLLER:FC-322-81-LF	
7	XC9831021	POWER PCB SUPPLY ASSY - 120			XD0501021	FOOT CONTROLLER:FC-322-LF-EU	050034
	XC9833021	POWER PCB SUPPLY ASSY - 230					
8	XC8824021	LEAD WIRE ASSY,POWER-LE					
9	XC8825021	INSULATION COVER					
10	XC8826021	INSULATOR SHEET					
11	XC8827020	POWER PLATE SPRING					
12	XC2538021	SPRING					
13	XC8829021	INLET ASSY,LE120 (CS4000, CS6000, CS6000t, ES2000:U.S.A., ES2400:U.S.A., CS100t)					
	XC8940121	INLET ASSY,LE230 (BC2100, BC2300, RS240, ES2000:OTHER, BC2500, RS260, ES2400:OTHER, ES2410, ES2420, comfort 40E, comfort 60E)					
14	060400816	SCREW BIND M4X8					
15	XC6052021	POWER SUPPLY CORD:UL CSA-LF (CS4000, CS6000, CS6000t, ES2000:U.S.A., ES2400:U.S.A., CS100t)					
	X59354121	POWER SUPPLY CORD - BS (BC2100:IRE, U.K., BC2300:U.K., ES2000:IRE, U.K., ES2200:U.K., ES2010, ES2210, ES2020:U.K., ES2220:U.K., BC2500:U.K., ES2400:U.K., ES2410:U.K., ES2420:U.K.)					



(6) ATTACHMENTS / PRINTED MATTER / PACKING MATERIALS

No.	CODE	NAME	REMARKS	No.	CODE	NAME	REMARKS
ATTACHMENTS				30	XC9656021	INSTRUCTION BOOK FIN	
1	X55467021	SCREW DRIVER			XC8433021	INSTRUCTION BOOK (CAN, FRA)	
2	X59370021	ZIPPER FOOT			XC8434021	INSTRUCTION BOOK (CAN, FRA)	
3	XC2691033	BH PRESSER FOOT ASSY	050040	31	XD0035021	INSTRUCTION DVD PAL (U.K.)	
4	X52800120	BOBBIN		32	XC0380021	WARRANTY CARD (U.S.A.)	
5	131096121	NEEDLE SET (1 PCE)			UH385100	WARRANTY CARD EUR	
6	XC8834021	NEEDLE SET			XC6402021	WARRANTY CARD UK	
7	130920021	EXTRA SPOOL PIN			XA6351121	WARRANTY CARD (ITA)	
8	XC4487021	ACCESSORY BAG		33	181401172	INSERTION WARRANTY COUPON (CS4000:CAN)	
9	XC3098031	OVERCASTING STITCH FOOT ASSY		34	130800021	BAG,220X310	
10	X53840331	TRANSPARENCY PRESSER FOOT		35	XC8837021	QUICK REFERENCE GUIDE (CS4000, BC2100, BC2300, RS240, ES2000:U.S.A., comfort 40E)	
11	XC4051031	BLIND STITCH FOOT ASSY			XC9117021	QUICK REFERENCE GUIDE (CS6000, CS6000t, BC2500, RS260, ES2400:U.S.A., comfort 60E, CS100t)	
12	XC9356021	LE WIDE TABLE ASSY (CS6000t,CS100t)		36	XC7488021	ACCINFO SHEET (U.S.A., CAN)	
13	XC9360021	FIXING PLATE A (CS6000t,CS100t)		37	XC8973021	DUST COVER ASSY (CS6000, CS6000t, BC2500, RS260, ES2400:U.S.A., comfort 60E)	
14	XC4495021	TABLE FOOT (CS6000t,CS100t)			XA2112022	DUST COVER ASSY (BC2100, BC2300, RS240, ES2400:OTHER, ES2410, ES2420, comfort 40E)	
15	XC4550021	ADJUSTING FOOT (CS6000t,CS100t)					
16	021400206	NUT 2 M4 (CS6000t,CS100t)					
17	087411416	TAPTITE CUP B M4X14 (CS6000t,CS100t)					
18	X59853020	RUBBER CUSHION (CS6000t,CS100t)					
19	X61231021	BAG,400X500H (CS6000t,CS100t)					
20	XC9361020	LE WIDE TABLE CARTON (CS6000t,CS100t)					
21	XC9362020	PAD (CS6000t,CS100t)					
22	XC9802021	INSTRUCTION MANUAL (CS6000t,CS100t)					
23	X54243051	SEAM RIPPER					
24	X59476021	CLEANING BRUSH					
25	X59375121	BUTTON SEWING FOOT					
26	135793001	PUNCH (CS6000, CS6000t, BC2500, RS260, ES2400, ES2410, ES2420, comfort 60E, CS100t)					
27	X59816101	WALKING FOOT ASSEMBLY (CS6000t, CS100t)					
28	X59821001	QUILTING FOOT (CS6000t, CS100t)					
29	X59819001	QUILTER (CS6000t, CS100t)					
PRINTED MATTER							
30	XC8835021	INSTRUCTION BOOK ENG					
	XC8893021	INSTRUCTION BOOK SPA					
	XC8972021	INSTRUCTION BOOK GER					
	XC8464021	INSTRUCTION BOOK SWE					
	XC8435021	INSTRUCTION BOOK ITA					
	XC8436021	INSTRUCTION BOOK DEN					
	XC9943021	INSTRUCTION BOOK RUS					





CS4000, BC2100, BC2300, RS240
ES2000, ES2200, ES2010, ES2210, ES2020, ES2220, **comfort 40E**
CS6000, CS6000t, BC2500, RS260
ES2400, ES2410, ES2420, **comfort 60E, CS100t**

23M04HF885S33/34/36/37